



\*Image is for illustrative purposes only. Please refer to datasheet for detail.

- HVDC 50A at 1000VDC
- Max. switching current = 300A
- Contacts sealed in inert gas
- Magnet arc blowout
- Pre-charge relay
- Female M4 power terminals
- Non-polarised (bi-directional) design



### Contacts

Contact arrangement	SPST-NO-DM	
Contact material	T2+Ag	
Max. switching voltage	AC/DC	1000VDC
Rated load (resistive, cos φ=1)	DC1	50A 1000VDC
Max. continuous thermal current	600s	60A
	30s	85A
Max switching current	1 time only	300A 450VDC
Initial contact resistance	max.	30mΩ (at 1A)
	typ.	1mΩ (at 1A)

### Coil

Nominal voltage (see page 2)	DC	12~48VDC
Rated power consumption	hold	3.2W @ 12VDC

### Insulation

Insulation resistance	initial	100MΩ (min.)
	life end	50MΩ (max.)
Dielectric strength	coil to contact	3500Vrms / 10mA / 1 min (at sea level)
	contact to contact	3500Vrms / 10mA / 1 min (at sea level)

### General Data

Operate time at 23°C	max.	30ms
Bounce time at 23°C	max.	7ms
Release time at 23°C	max.	12ms
Electrical life	Voltage and current dependent - see fig. 1	
Mechanical life	2 x 10 <sup>5</sup>	

### Environmental

Environmental Seal	IP67	
Ambient temperature	operating	-40 to +85°C
Relative humidity	5 to 95%RH	
Shock resistance	20G peak, 11ms 1/2 sine	
Vibration resistance	20G sine peak (80 to 2000Hz)	
Dimensions	L x W x H	37.20 x 51.26 (over flanges) x 47.82 (approx.)
Weight	approx.	120g ±5g

### Ordering Code

D E V R 0 5 - 5 0 8 1 - S 8 - 1 0 2 4 - R 1 / 1

Series

Coil code:

See table 1

Contact material

50: T2+Ag

Contact arrangement

81: SPST-NO (no polarity)

Mounting & terminations

Bottom flange mounting base

S8: M4 Female power terminals

Coil by flying leads

Coil wire length

R: 400mm (standard)

T: 5.9" (150mm)

Coil wire termination

1: None

2: Yazaki 7282-5558-10 Male, fitted to coil wires only.

Other terminations to special order

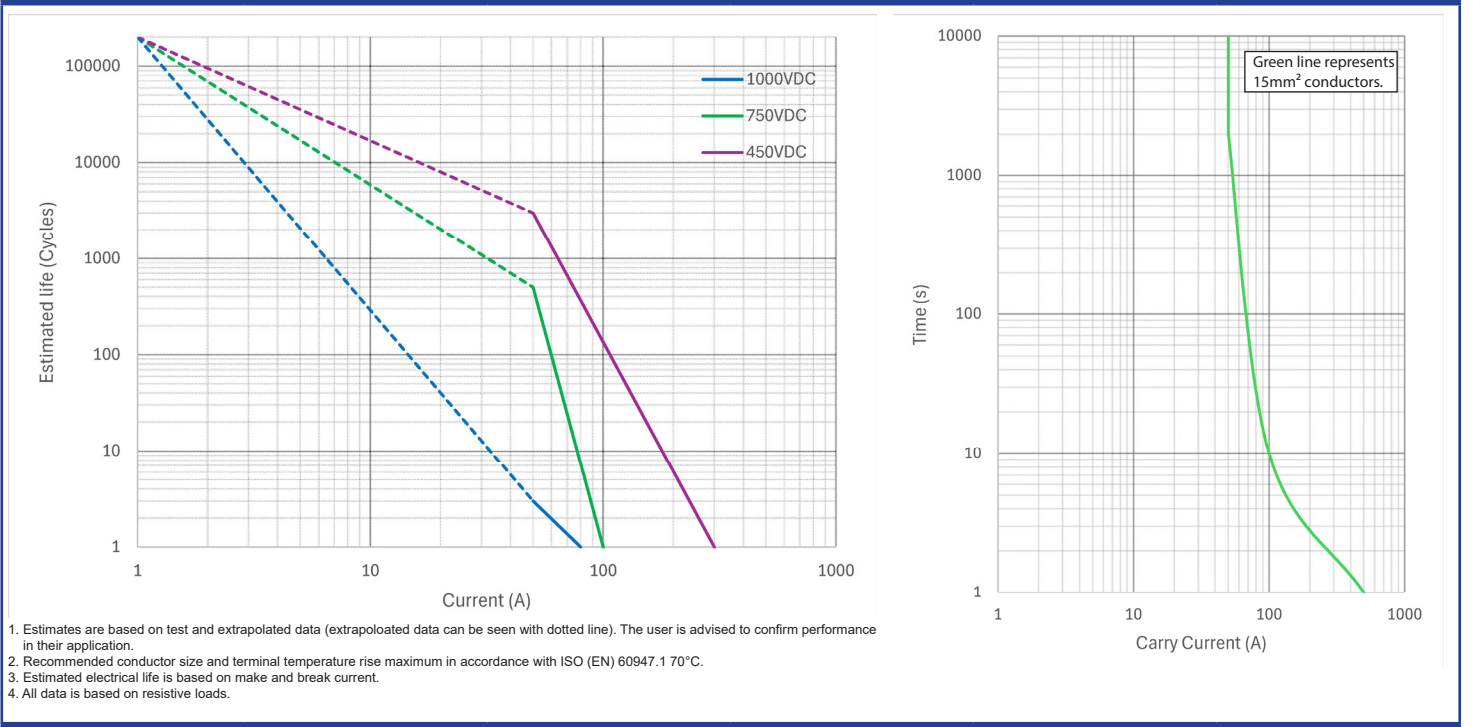
Version:

/1: Version 1

Coil Data								Table 1
Coil code	Nominal voltage (VDC)	Must operate voltage max. (VDC at 23°C)	Max. allowable voltage (VDC)	Must release voltage min. (VDC)	Coil resistance $\Omega \pm 5\%$ (at 23°C)	Coil Current (mA)	Coil power (W at 23°C)	
1012	12.0	9.0	14.4	1.2	45.0	266.7	3.2	
1024	24.0	18.0	28.0	2.4	167.0	143.7	3.5	
1048	48.0	36.0	55.0	4.8	630.0	76.2	3.7	

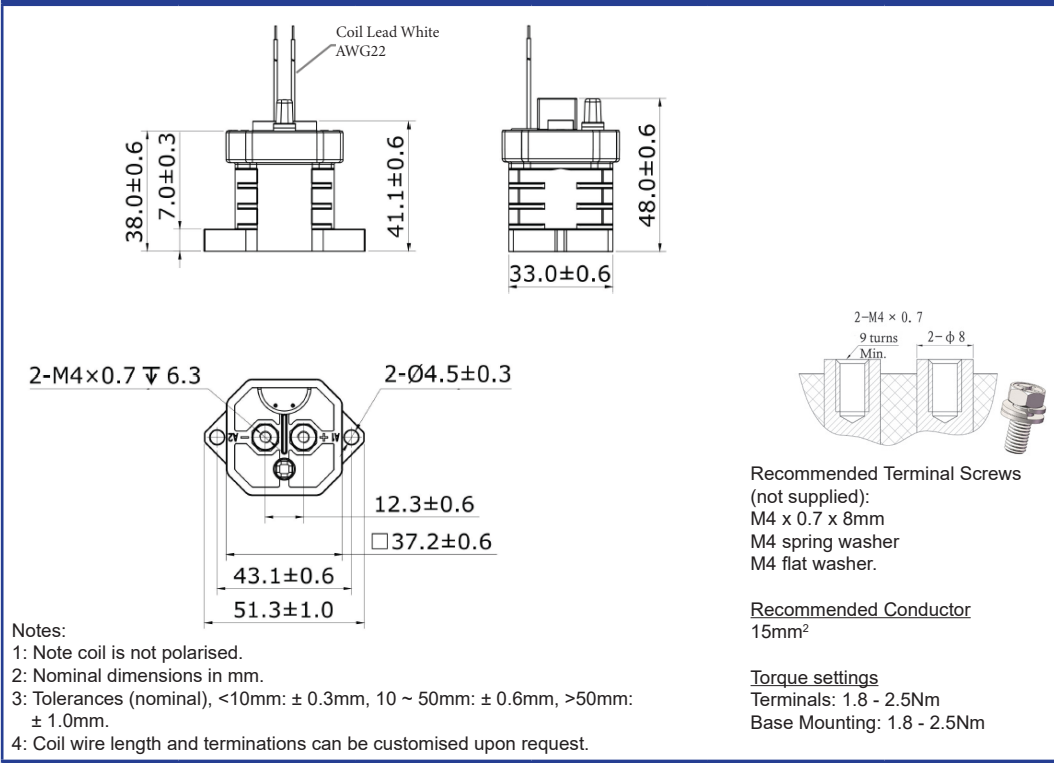
### Electrical Performance

Fig. 1



### Dimensions (mm)

Fig. 2



### Circuit Diagram

Fig. 3

