



- High load voltage - up to 480VAC
- 4 - 32VDC or 90 - 250VAC Control voltage
- Single phase, zero crossover switching
- LED Control input indicator
- Integrated heatsink
- DIN Rail or chassis mounting



### Output (Load)

Load type	SPST-NO (1 N/O) Resistive	
Load current	20A, 25A, 30A	
Load switching voltage	AC $V_{rms}$	40 ~ 480V
Maximum peak voltage	AC $V_{pt}$	900V
Minimum load current	0.1A	
Inrush current (max.)	10ms	20A: 240A / 25A: 300A / 30A: 380A
$I^2t$	$A^2s$	20A: 288 / 25A: 450 / 30A: 660
Switch type	Zero crossover	

### Input (control)

Control voltage	VDC	DC: 4 ~ 32VDC / AC: 90 ~ 250VAC
Control current	mA	<20
Turn-on voltage (min.)	$V_{min}$	DC: 3.5VDC / AC: 80VAC
Turn-on voltage (max.)	$V_{max}$	DC: 35VDC / AC: 280VAC
Turn-off voltage	V	DC: 2VDC / AC: 40VAC

### Environmental

Dimensions	L x W x H	100 x 48 x 107mm
Weight	approx.	440g

Note:

All SSR's should be protected by fast acting "semiconductor" fuses.

Circuit breakers and normal fuses are not quick enough to protect the SSR in the event of a current surge or spike"

It is recommended that load power is kept to no more than 70% of the SSR's rating to avoid unexpected issues in the event of variations in the load and ambient temperature" These SSR's are designed to be used with a suitable heat sink.

Transfer Pads and Heatsinks for Durakool SSR relays can be found in Durakool's Solid State Relay (SSR) catalogue.

### Ordering Code

S D A 1 Z - 2 5 K - A

#### Series

#### Switching

Z: Zero Crossover

#### Load current

20: 20A  
25: 25A  
30: 30A

#### Load voltage

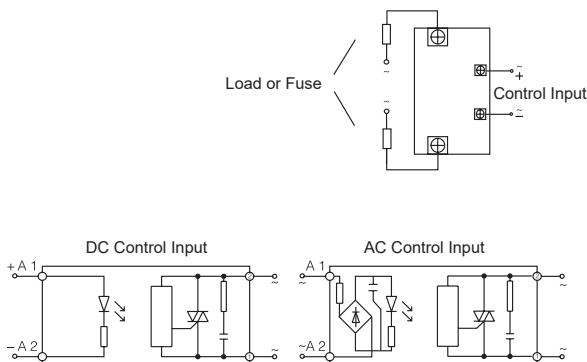
K: 40 to 480VAC

#### Control voltage input

A: 90 ~ 250VAC  
D: 4 ~ 32VDC

### Schematic

Fig. 1



### Dimensions mm

Fig. 2

