

- 15A Continuous current capacity
- 20A 450VDC Fault condition breaking capacity
- Miniature case size
- PCB mounting
- Magnet arc blowout
- Automotive oriented design

ROHS
Compliant ✓

Contacts

Contact arrangement	SPST-NO-DM, SPST-NC-DM		
Contact material	AgSnO ₂		
Rated current	DC1	15A / 450VDC (10A max.Break)	
Max. switching voltage	450VDC		
Max. breaking capacity	4500W		
Initial contact resistance	10mΩ at 20A		
Min. switched load	0.5A / 5VDC		
	SPST-NO-DM	SPST-NC-DB	
Max. continuous current	DC1	15A	10A
Max. switching current	make	15A	12A
	break	15A	10A
	fault condition	20A ON/ 20A OFF 10 operations (min.)	
Max. operating frequency	rated load	360 cycles/hour	

Coil

Operating range	DC	6 ~ 24V See Table 1
Rated power consumption	Approx. 3W	

Insulation

Coil insulation system	IEC 31, CLASS F 155°C	
Insulation resistance	>100 MΩ at 500VDC, 50%RH	
Dielectric strength	coil to contact	1300Vrms, 1min
	open contacts	1500Vrms, 1min

General Data

Electrical life at full rated load	cycles	2 x 10 ⁵ 10A 450VDC (10A ON / 0A OFF)
Mechanical life	cycles	>1 x 10 ⁷

Environmental

Environmental protection	IP67	
Ambient temperature	operating	-40 to +85°C
	storage	-40 to +125°C
Mechanical shock	functional	10g, 11ms
	destructive	100g
Vibration resistance	NO: 20g / NC: 10g 10-200Hz	
Dimensions	L x W x H	26.2 x 17.7 x 19.7mm (excluding pcb pins)
Weight	approx.	14g

Ordering Code

D G 1 7 M - 5 0 2 1 - 3 5 - 1 0 1 2

Series

Coil code:

See table 1

Contact material

50: AgSnO₂

Contact arrangement

21: SPST-NO-DM

31: SPST-NC-DB

Mounting & terminations

35: PCB Mounting, sealed IP67

DC Coil Data

Table 1

Coil code	Nominal voltage (VDC)	Must operate voltage max. (VDC@ 23°C)	Max. allowable voltage (VDC)	Must release voltage min. (VDC)	Coil resistance $\Omega \pm 10\%$ (at 30°C)	Coil current (mA)
1006	6	3.75	8	0.5	28.0	215
1012	12	7.5	16	1.0	130	92
1024	24	15.0	31	2.0	520	46

* At ambient temperature of 85°C, maximum allowable voltage should be reduced to 72%

Operate time typ. 3ms

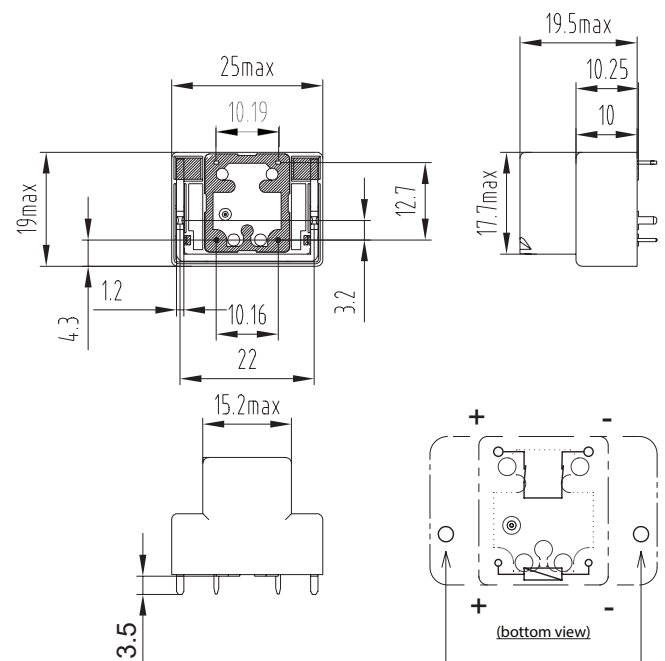
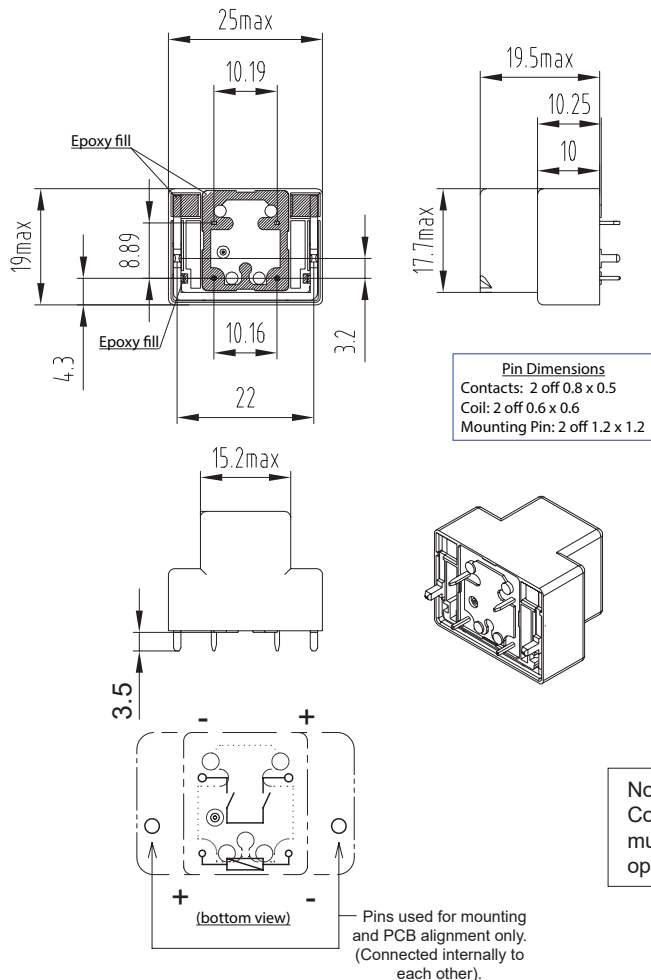
Release time typ. 1.5ms

Dimensions

Fig 1

DG17M-5021-35-10** (SPST-NO-DM)

DG17M-5031-35-10** (SPST-NC-DB)



Dimensions in mm