

- 30C 75FLA Definite purpose contactor
- Robust 2 & 3 pole contactor
- Arc covers as standard
- Industry standard mounting



Contacts

Contact arrangement	2 Form X (2PST-NO-DM)
	3 Form X (3PST-NO-DM)
Contact material	AgCdO, AgSnOInO

General Specifications

Initial operate time	ms	40
Release time (typical)	ms	25
Bounce time	ms	≤ 15
Arc cover		standard

Insulation

Insulation system		UL Class B 130°C
Initial dielectric strength	coil to contact	2200VAC
	pole to pole	2200VAC
	between open contacts	2200VAC

Environmental

Ambient temperature	operating	-40 to +65°C
Weight	approx.	4lb

Terminations

Coil terminals	2 - 3 pole	0.250° QC + 6-32 screw (dual 0.25" QC optional)
		per terminal
Power terminals	box lug	14-1/0 AWG
Recommended tightening torque	box lug	50 in.lbs (5.65 Nm)
Wire size	box lug	14-1/0 AWG

Ordering Code

3 0 C 7 5 - 1 0 2 3 - 1 - -

Series

Contact ratings

75: 75 FLA

Contact material

10: AgCdO (standard)

70: AgSnOInO

Contact arrangement

22: DPST-NO

23: 3PST-NO

Environmental protection

1: No overall cover - IP00

Mounting & terminations

1: 10-32 Combi philips screw, quad QC blades

2: Same as 1 with sems screw and pressure plate

3: 14-4AWG Box lug, quad QC blades

4: 14-4AWG Box lug, dual QC blades (40FLA std.)

5: 10-32 Combi philips screw, dual QC blades (20-30FLA std.)

6: 14-2AWG Box lug, QC blades (50-60FLA std.)

7: 14-1AWG Box lug, QC blades (75-150FLA std.)

Reserved for customer specific requirements

001: Dual 0.25° QC blades for coil terminations

002: 999 - Optional customer specific number

Coil code:

See table 2

T	L
Terminals	Terminals

Contact Data

Table 1

Model	Full load amps (FLA)	Poles	Line voltage (VAC)	Locked rotor amps (LRA)	Resistive amps	Max. HP		
						Voltage	1 Phase	3 Phase
30C75-1022	75	2	120	450	93	120	5	
			240 / 277	450		240	15	25
			480	375		480		40
			600	300		600		40
30C75-1023	75	3	120	450	93	120	5	
			240 / 277	450		240	15	25
			480	375		480		40
			600	300		600		40

FLA Rating tested for 30,000 cycles of endurance at 240 / 480 / 600 VAC per UL508

Resistive heat rating tested for 250,000 cycles at 277 VAC

LRA Rating tested for 600 cycles of locked rotor endurance per UL508

Coil Data

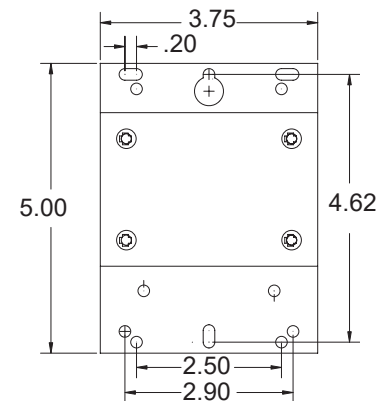
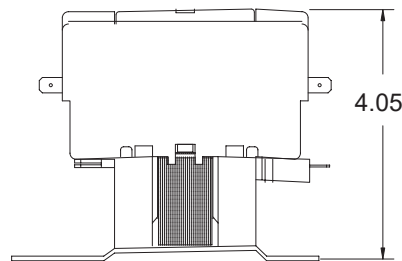
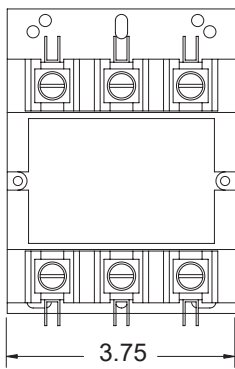
Table 2

Voltage: 24-277VAC 50/60Hz. See coil data below. (480VAC available but not UL approved). Insulation Class: UL Class B (130°C)

Coil Code	Rated voltage 50/60Hz	Coil resistance (Ω)	Coil operating voltage (VAC)			Minimum inrush		Nominal coil power	
			Must release	Must operate	Max. voltage	VA @ 50Hz	VA @ 60Hz	VA @ 50Hz	VA @ 60Hz
30C75-1022 & 30C75-1023									
5024	24	0.63	6	18	26.4	285	240	42	27
5120	120	15.6	20	88	132				
5230	208 / 240	63.5	40	177	264				
5277	277	84	65	220	305				
5480	480	255	150	384	528				

Dimensions (Inches)

Fig. 1



2 Pole same as 3 pole minus centre terminals

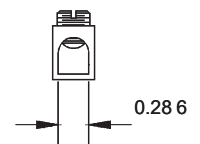
Power Terminations (Dimensions Inches)

Fig. 2

Termination Codes: 1 & 5
Standard on 20-30FLA
10-32 combination phillips/slotted
and 5/16 hex head screw with 12 washer



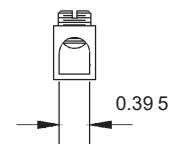
Termination Code: 6
Standard for 50 & 60FLA
Box Lug
14-2 AWG (Cu/Al)



Termination Code: 2
Optional on 20-40FLA
10-32 sems screw with pressure plate



Termination Code: 7
Standard for 75 & 90FLA
Box Lug
14-1 AWG (Cu/Al)



Termination Codes: 3 & 4
Box Lug
14-4 AWG (Cu/Al)

