

- 30C 50FLA Definite purpose contactor
- Robust 2 & 3 pole contactor
- Arc covers as standard
- Industry standard mounting



Contacts

Contact arrangement	2 Form X (DPST-NO-DM)
	3 Form X (3PST-NO-DM)
Contact material	AgCdO, AgSnOInO

General Specifications

Initial operate time	ms	30
Release time (typical)	ms	15
Bounce time	ms	≤ 10
Arc cover		standard

Insulation

Insulation system		UL Class B 130°C
Initial dielectric strength	coil to contact	2200VAC
	pole to pole	2200VAC
	between open contacts	2200VAC

Environmental

Ambient temperature	operating	-40 to +65°C	
		2 Pole	3 Pole
Weight	approx.	1.75lbs	2lbs

Terminations

Coil terminals	2 - 3 pole	0.250° QC + 6-32 screw (dual 0.25° QC optional)
		per terminal
Power terminals	screw	¼ screw (with or without sems plate)
		box lug
Recommended tightening torque	¼ - 20	40 in.lbs (4.53 Nm)
		box lug
Wire size	¼ - 20	16-8AWG*
		box lug
		* Must use ring terminals

Ordering Code

3 0 C 5 0 - 1 0 2 3 - 1 - -

Series	Coil code: See table 2
Contact ratings 50: 50 FLA	
Contact material 10: AgCdO (standard) 70: AgSnOInO	
Contact arrangement 22: DPST-NO 23: 3PST-NO	
Environmental protection 1: No overall cover - IP00	T Terminals
	L Terminals
Mounting & terminations 1: 10-32 Combi philips screw, quad QC blades 2: Same as 1 with sems screw and pressure plate 3: 14-4AWG Box lug, quad QC blades 4: 14-4AWG Box lug, dual QC blades (40FLA std.) 5: 10-32 Combi philips screw, dual QC blades (20-30FLA std.) 6: 14-2AWG Box lug, QC blades (50-60FLA std.) 7: 14-1AWG Box lug, QC blades (75-150FLA std.)	
Reserved for customer specific requirements 001: Dual 0.25° QC blades for coil terminations 002: 999 - Optional customer specific number	

Contact Data Table 1

Model	Full load amps (FLA)	Poles	Line voltage (VAC)	Locked rotor amps (LRA)	Resistive amps	Max. HP		
						Voltage	1 Phase	3 Phase
30C50-1022	50	2	120	300	65	120	3	
			240 / 277	300		240	10	15
			480	250				
			600	200				
30C50-1023	50	3	120	300	65	120	3	
			240 / 277	300		240	10	15
			480	250		480		25
			600	200		600		25

FLA Rating tested for 30,000 cycles of endurance at 240 / 480 / 600 VAC per UL508
 Resistive heat rating tested for 250,000 cycles at 277 VAC
 LRA Rating tested for 600 cycles of locked rotor endurance per UL508

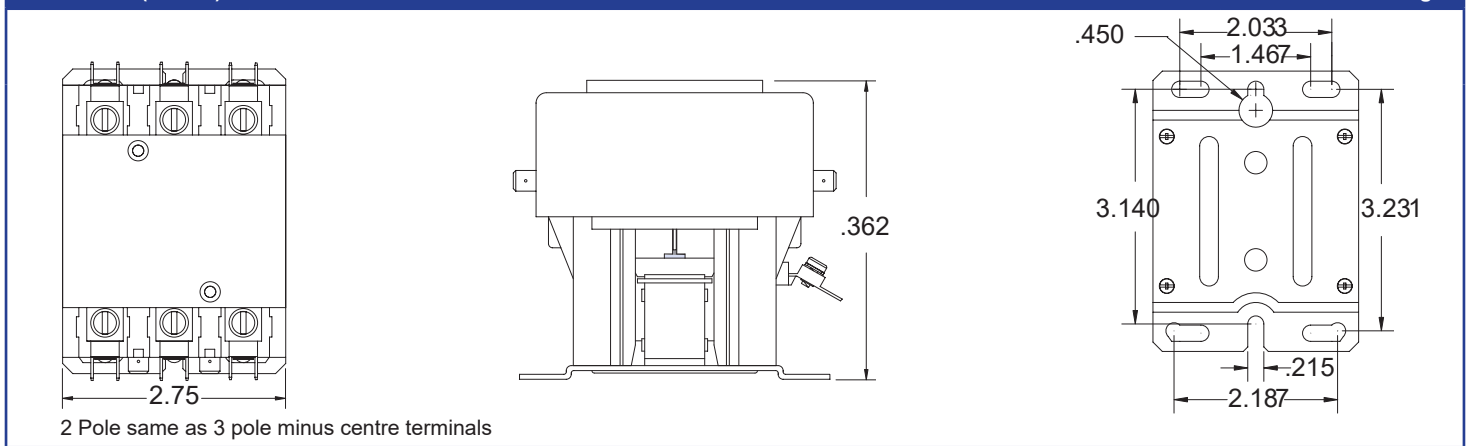
Coil Data Table 2

Voltage: 24-277VAC 50/60Hz. See coil data below. (480VAC available but not UL approved). Insulation Class: UL Class B (130°C)

Coil Code	Rated voltage 50/60Hz	Coil resistance (Ω)	Coil operating voltage (VAC)			Minimum inrush		Nominal coil power	
			Must release	Must operate	Max. voltage	VA @ 50Hz	VA @ 60Hz	VA @ 50Hz	VA @ 60Hz
30C50-1022 & 30C50-1023									
5024	24	2.4	6	18	30	138	130	18	13
5120	120	45	20	88	132				
5230	208 / 240	180	40	177	264				
5277	277	280	65	220	300				
5480	480	852	150	384	520				

Dimensions (Inches)

Fig. 1



Power Terminations (Dimensions Inches)

Fig. 2

Termination Codes: 1 & 5 Standard on 20-30FLA 10-32 combination phillips/slotted and 5/16 hex head screw with 12 washer		Termination Code: 6 Standard for 50 & 60FLA Box Lug 14-2 AWG (Cu/Al)	
Termination Code: 2 Optional on 20-40FLA 10-32 sems screw with pressure plate		Termination Code: 7 Standard for 75 & 90FLA Box Lug 14-1 AWG (Cu/Al)	
Termination Codes: 3 & 4 Box Lug 14-4 AWG (Cu/Al)			