



- Rated load: 100A at 48VDC
- Double coil economiser
- Dust-proof seal option
- M6 Power terminations
- Battery storage applications
- Electric vehicles and DC motors



Contacts

Contact arrangement	SPST-NO-DM
Contact material	AgCuO
Max. switching voltage	DC 48VDC
Rated load (resistive cos φ=1)	DC1 100A 48VDC
Continuous thermal current	max. 100A
Terminal temperature rise above ambient	<70°C. (IEC EN60947, GB14/140484)
Voltage drop	≤80mV @ 200A

Coil

Rated voltage	DC 12, 24, 48, 60VDC - see table 1
Nominal "on hold" power consumption	max 10W
Working duty	Continuous

Insulation

Insulation resistance	initial	100MΩ (Min.) @500VDC
	life end	50MΩ (Min.)
Dielectric strength	coil to contact	1000Vrms (50/60Hz) / <1mA / 1 min (at sea level)
	contact to contact	1000Vrms (50/60Hz) / <1mA / 1 min (at sea level)

General Data

Operate time inc. bounce at 20°C	<50ms
Release time	<50ms
Electrical life (at rated load)	ops. 50,000 operations
Mechanical life	ops. 1 x 10 ⁵

Environmental

Ambient temperature	operating	-40°C to +65°C
Relative humidity		20 to 90%RH
Shock resistance		≤4g, (60 ~ 100ops/min)
Vibration resistance		≤3.5g sine peak (10 to 200Hz)
Dimensions	L x W x H	73 x 70 x 42 mm
Weight	approx.	280g

Ordering Code

D J Q 1 0 - 4 0 2 1 - 3 8 - 1 0 1 2 -

Series

Coil code:

See table 1

Contact arrangement

4021: SPST-NO-DM

Body style

38: Enclosed, M6 Male stud power terminals

Accessory options

Blank: No options

M: Dust-proof sealing ring

NB:

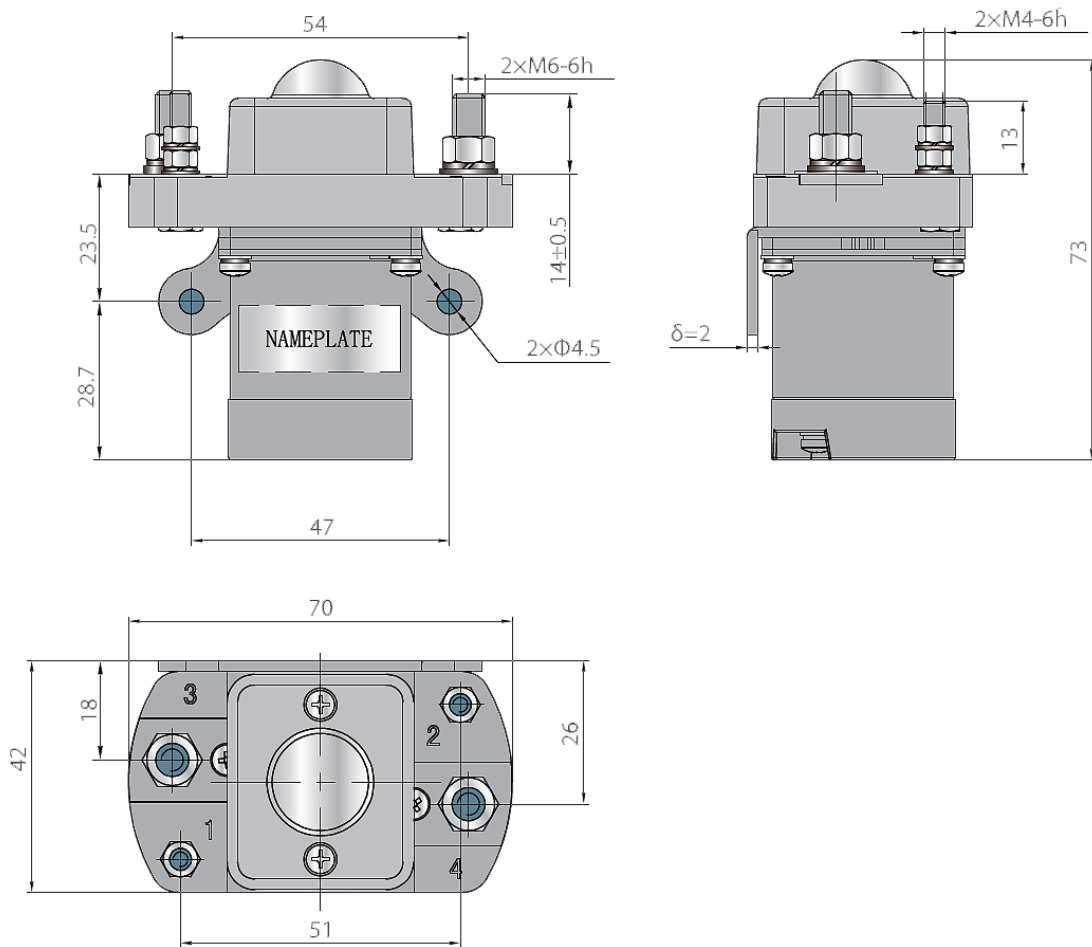
Mounting orientation:

The DJQ10 may be mounted horizontally, but if mounted vertically, the coil should be positioned downwards, with the terminals uppermost.

Coil Data						Table 1
Coil code	Nominal voltage (VDC) U_s	Working voltage range (V)	Must operate voltage max. (VDC)	Must release voltage min. (VDC)	Starting current (A)	Holding current (A)
1012	12	0.85 U_s ~ 1.1 U_s	8.4	1.2	≤5.5	≤ 0.7
1024	24		16.8	2.4	≤4.0	≤ 0.4
1048	48		33.6	4.8	≤4.0	≤ 0.2
1060	60		42.0	6.0	≤4.0	≤ 0.15

Dimensions

Fig. 1



Dimensions in mm

Connections

Fig. 2

