

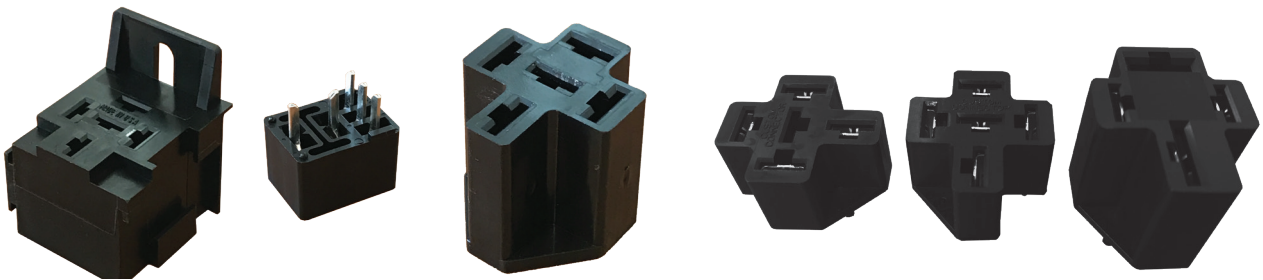


DZ Sockets for Automotive Relays



See website for contact details:

www.durakool.com



Durakool

Durakool, a Solid State Group Brand, has a long history, some 90 years, in the manufacturing of specialised, highly engineered, electrical and electronic components, primarily for automotive and industrial applications.

This catalogue gives detailed information of our specialised DZ automotive sockets, designed to fit Durakool automotive relays.

Durakool's unique range of automotive relays and HVDC contactors are specially designed for applications up to 1500VDC, together with high current switching of DC loads. Specialist contactors can switch more than 3000A and our automotive Mini and Maxi ISO style HVDC relays fit industry standard automotive relay sockets and terminals.

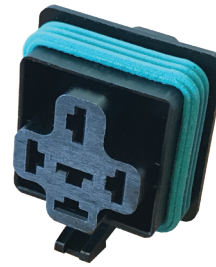
Through our disciplined approach, we have earned an excellent reputation for our technical innovation, agility, rapid response and high reliability. Our Team has a "CAN DO" attitude and is ready to tackle your most challenging applications.

Our creative engineering team has extensive experience in harsh environmental packaging concepts. We use high quality products and make our own glass to metal hermetic seals in house.

Please contact our Engineering Team or your local distributor for further information and non standard items from within our extensive product range.

Controlling electricity for over 90 years!

- ▲ Global production facilities
- ▲ Extensive product portfolio
- ▲ Reputation for high reliability
- ▲ ISO9001:2008 & ISO14001:2004 Registered



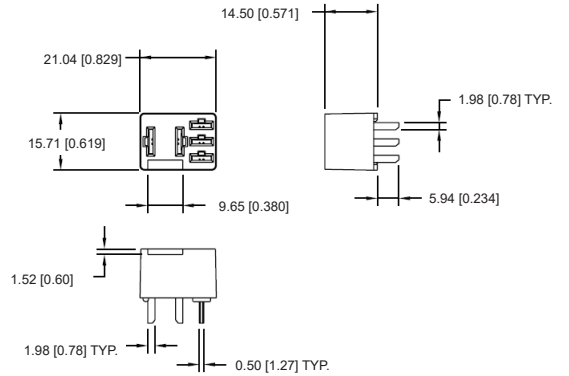
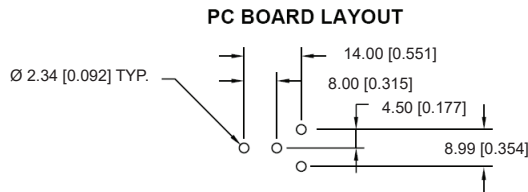
Index of Contents

Index of Contents		Page
Durakool	Company information	2
Index	Catalogue contents	3
Part Number	Use with relay series	-
DZ82AB-4-PCB	DG82, DG90, DG82T	4
DZ82AB-5-PCB	DG82, DG90, DG82T	4
DZ82AB-4-SPCB	DG82, DG90, DG82T	4
DZ82AB-5-SPCB	DG82, DG90, DG82T	5
DZ82AB-5-WH1	DG82, DG90, DG82T	5
DZ82AB-5-WH2	DG82, DG90, DG82T	5
DZ85AB-4-WH	- NOT FOR NEW DESIGNS - Use DZ85AB-5-WH	6
DZ85AB-5-WH	DC20, DG43A, DG43E, DG43F, DG44, DG46, DG55, DG55M, DG56A, DG56T, DG57BM, DG85A, DG85B, DG85F, DG88A	6
DZ85AB-5-WH1	DC20, DG43A, DG43E, DG43F, DG44, DG46, DG55, DG55M, DG56A, DG56T, DG57BM, DG85A, DG85B, DG85F, DG88A	6
DZ85AB-5-WH2	DC20, DG43A, DG43E, DG43F, DG44, DG46, DG55, DG55M, DG56A, DG56T, DG85A, DG85B, DG85F, DG88A	7
DZ85AB-4-PCB	DC20, DG43A, DG43E, DG44, DG55, DG56A, DG57BM, DG85A, DG85B, DG85F, DG88A	7
DZ85AB-4-SPCB	DC20, DG43A, DG43E, DG44, DG55, DG56A, DG57BM, DG85A, DG85B, DG85F, DG88A	7
DZ85AB-5-PCB	DC20, DG43A, DG43E, DG43F, DG44, DG46, DG55, DG55M, DG56A, DG56T, DG57BM, DG85A, DG85B, DG85F, DG88A	8
DZ85AB-5-SPCB	DC20, DG43A, DG43E, DG43F, DG44, DG46, DG55, DG55M, DG56A, DG56T, DG57BM, DG85A, DG85B, DG85F, DG88A	8
DZ85CD-4-SPCB	DG56C, DG57CM, DG85C, DG85D, DG85G	8
DZ85CD-4-WH	DG56C, DG57CM, DG85C, DG85D, DG85G	9
DZ85CD-5-WH	DG56C, DG85C, DG85D, DG85G	9
DZ85AB-5-WP	DG56A, DG85A, DG85B, DG85F & DG88A with skirt option "S1" or "S2"	9
DZ85S-O	Cable seal, fits DZ85AB-5-WP	10
DZ85S-G	Cable seal, fits DZ85AB-5-WP	10
DZ85S-Y	Cable seal, fits DZ85AB-5-WP	10
DZ85P-G	Blanking plug, fits DZ85AB-5-WP (for use with 4 terminal relays)	10

DZ82AB-4-PCB - 4 Pin PCB socket for micro-ISO relays

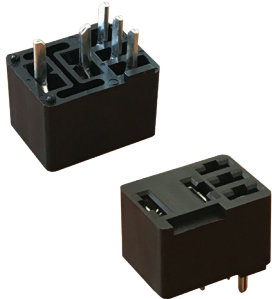


- Brass, bright tin (Sn) plated contacts
- Heat stabilised thermoplastic, 140°C
- Continuous use temperature rating
- 4 Pin
- PCB Mount
- RoHS Compliant

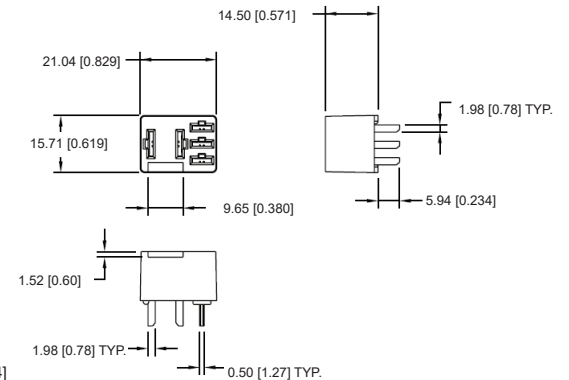
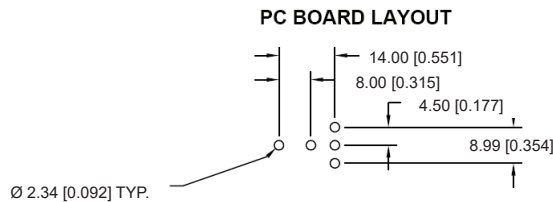


Dimensions mm [inches]

DZ82AB-5-PCB - 5 Pin PCB socket for micro-ISO relays



- Brass, bright tin (Sn) plated contacts
- Heat stabilised thermoplastic, 140°C
- Continuous use temperature rating
- 5 Pin
- PCB Mount
- RoHS Compliant

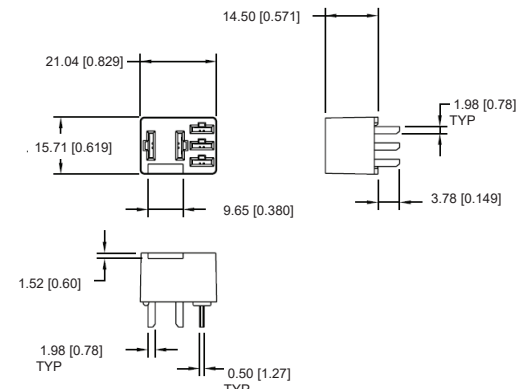
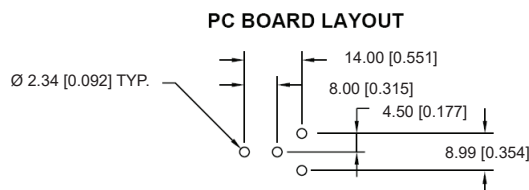


Dimensions mm [inches]

DZ82AB-4-SPCB - 4 Short pin PCB socket for micro-ISO relays

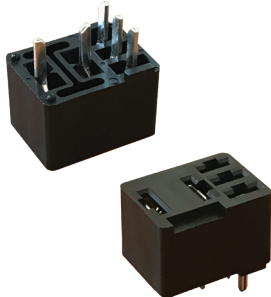


- Brass, bright tin (Sn) plated contacts
- Heat stabilised thermoplastic, 140°C
- Continuous use temperature rating
- 4 Short pins
- PCB Mount
- RoHS Compliant



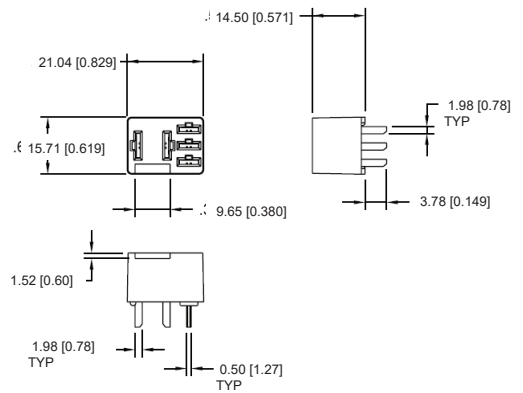
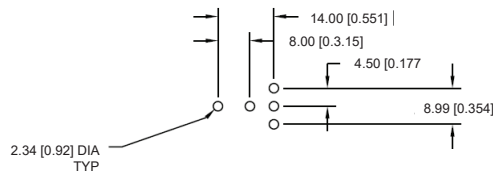
Dimensions mm [inches]

DZ82AB-5-SPCB - 5 Short pin PCB socket for micro-ISO relays



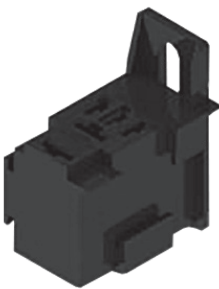
- Brass, bright tin (Sn) plated contacts
- Heat stabilised thermoplastic, 140°C
- Continuous use temperature rating
- 5 Short pins
- PCB Mount
- RoHS Compliant

PC BOARD LAYOUT

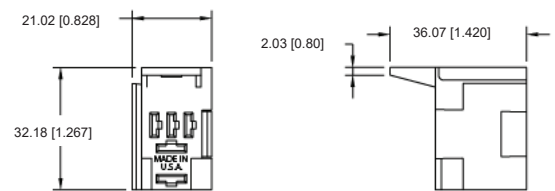


Dimensions mm [inches]

DZ82AB-5-WH1 - Socket with mounting bracket for micro-ISO relays



- Heat stabilised thermoplastic, 140°C
- Continuous use temperature rating
- For industry standard terminals - not included
- Typical suitable terminals:
 - ◆ AMP 42100 ¼" blade 14-18 AWG
 - ◆ AMP 42281 ¼" blade 14-18 AWG
 - ◆ AMP 42904 ¼" blade 12-16 AWG
 - ◆ AMP 60249 ¼" blade 12-16 AWG
 - ◆ AMP 60253 ¼" blade 12-14 AWG
 - ◆ AMP 281197 3/16" blade 13-17 AWG
 - ◆ AMP 282180 3/16" blade 15-20 AWG
- 5 Pin housing
- Crimp not supplied
- RoHS Compliant

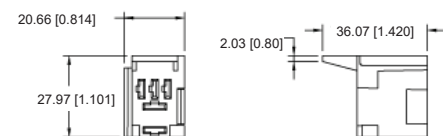


Dimensions mm [inches]

DZ82AB-5-WH2 - Socket with mounting bracket for micro-ISO relays



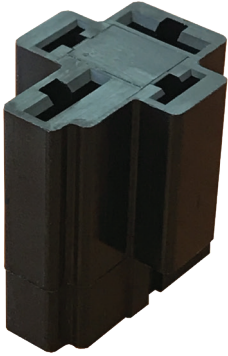
- Heat stabilised thermoplastic, 140°C
- Continuous use temperature rating
- For industry standard terminals - not included
- Typical suitable terminals:
 - ◆ AMP 42100 ¼" blade 14-18 AWG
 - ◆ AMP 42281 ¼" blade 14-18 AWG
 - ◆ AMP 42904 ¼" blade 12-16 AWG
 - ◆ AMP 60249 ¼" blade 12-16 AWG
 - ◆ AMP 60253 ¼" blade 12-14 AWG
 - ◆ AMP 281197 3/16" blade 13-17 AWG
 - ◆ AMP 282180 3/16" blade 15-20 AWG
- 5 Pin housing
- Crimp not supplied
- RoHS Compliant



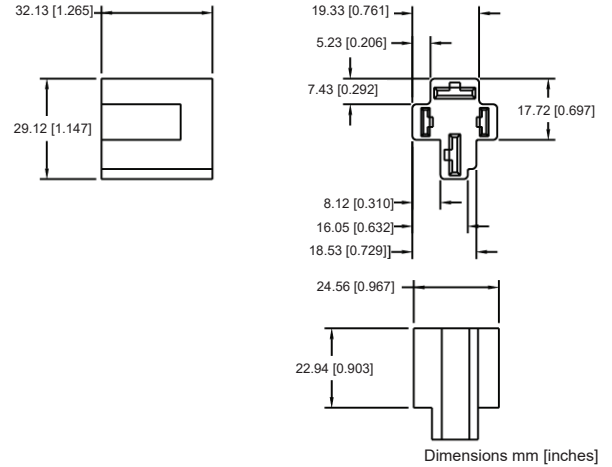
Dimensions mm [inches]

DZ85AB-4-WH - 4 Pin cable housing socket without mounting bracket for mini-ISO relays

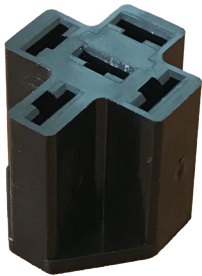
NOT FOR NEW DESIGNS



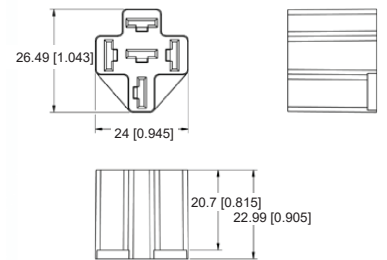
- Heat stabilised thermoplastic, 140°C
- Continuous use temperature rating
- For industry standard terminals - not included
- Typical suitable terminals:
 - ◆ AMP 42100 ¼" blade 14-18 AWG
 - ◆ AMP 42281 ¼" blade 14-18 AWG
 - ◆ AMP 42904 ¼" blade 12-16 AWG
 - ◆ AMP 60249 ¼" blade 12-16 AWG
 - ◆ AMP 60253 ¼" blade 12-14 AWG
- RoHS Compliant



DZ85AB-5-WH - 5 Pin cable housing socket without mounting bracket for mini-ISO relays



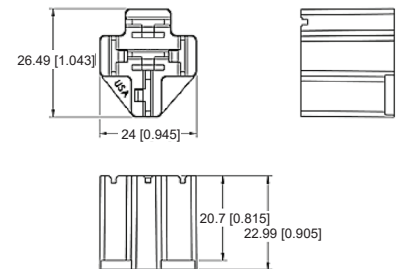
- Heat stabilised thermoplastic, 140°C
- Continuous use temperature rating
- For industry standard terminals - not included
- Typical suitable terminals:
 - ◆ AMP 42100 ¼" blade 14-18 AWG
 - ◆ AMP 42281 ¼" blade 14-18 AWG
 - ◆ AMP 42904 ¼" blade 12-16 AWG
 - ◆ AMP 60249 ¼" blade 12-16 AWG
 - ◆ AMP 60253 ¼" blade 12-14 AWG
- RoHS Compliant



DZ85AB-5-WH1 - 5 Pin cable housing sockets for relays or flashers



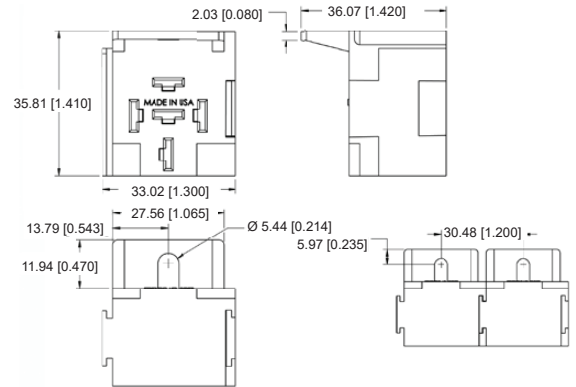
- Heat stabilised thermoplastic, 140°C
- For industry standard terminals - not included
- Typical suitable terminals:
 - ◆ AMP 42100 ¼" blade 14-18 AWG
 - ◆ AMP 42281 ¼" blade 14-18 AWG
 - ◆ AMP 42904 ¼" blade 12-16 AWG
 - ◆ AMP 60249 ¼" blade 12-16 AWG
 - ◆ AMP 60253 ¼" blade 12-14 AWG
- RoHS Compliant



DZ85AB-5-WH2 - 5 Pin cable housing socket with mounting bracket for mini-ISO relays



- Heat stabilised thermoplastic, 140°C
- Continuous use temperature rating
- Brass, bright tin (Sn) plated contacts
- For industry standard terminals - not included
- Typical suitable terminals:
 - ◆ AMP 42100 ¼" blade 14-18 AWG
 - ◆ AMP 42281 ¼" blade 14-18 AWG
 - ◆ AMP 42904 ¼" blade 12-16 AWG
 - ◆ AMP 60249 ¼" blade 12-16 AWG
 - ◆ AMP 60253 ¼" blade 12-14 AWG
- RoHS Compliant

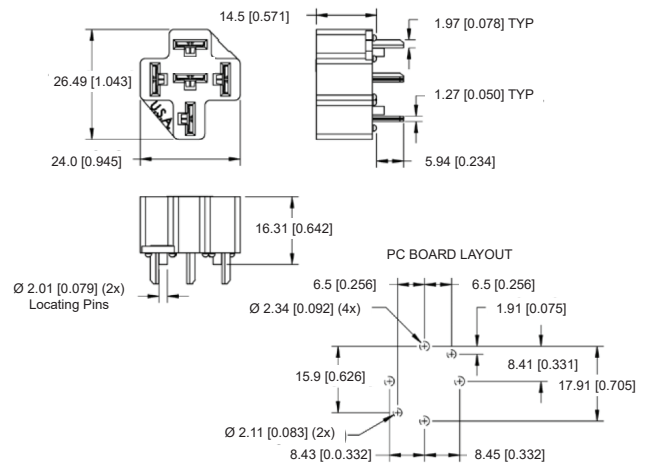


Dimensions mm [inches]

DZ85AB-4-PCB - 4 Pin PCB socket for mini ISO relays

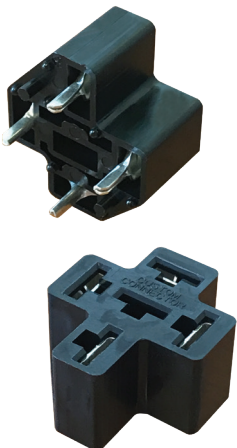


- Heat stabilised thermoplastic, 140°C
- Continuous use temperature rating
- Brass, bright tin (Sn) plated contacts
- 4 Pin
- RoHS Compliant

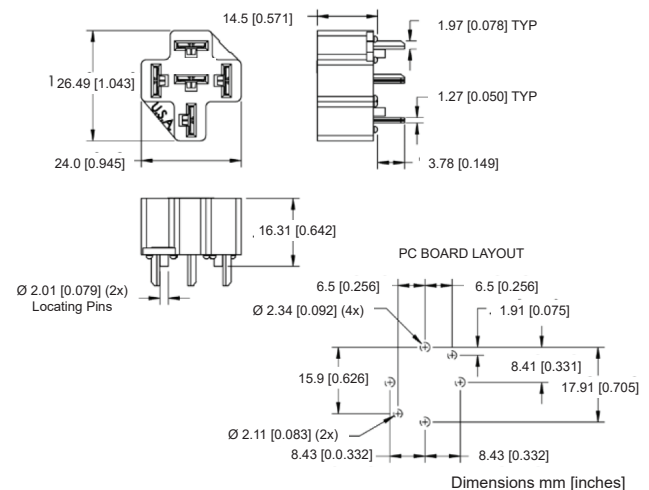


Dimensions mm [inches]

DZ85AB-4-SPCB - 4 Short pin PCB socket for mini-ISO relays



- Heat stabilised thermoplastic, 140°C
- Continuous use temperature rating
- Brass, bright tin (Sn) plated contacts
- 4 Short pins
- RoHS Compliant

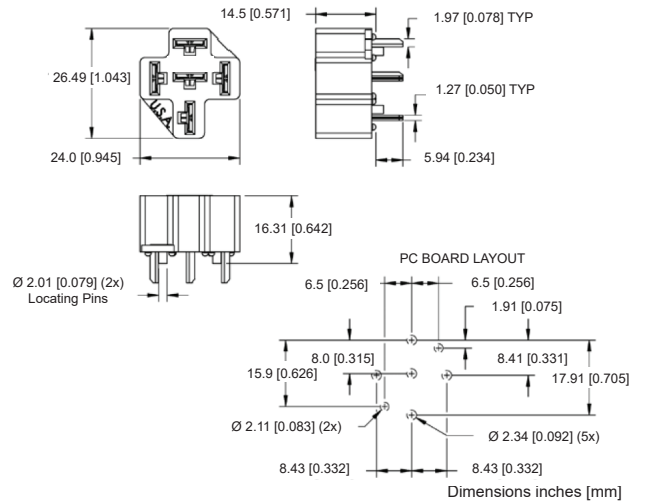


Dimensions mm [inches]

DZ85AB-5-PCB - 5 Pin PCB socket for mini-ISO relays



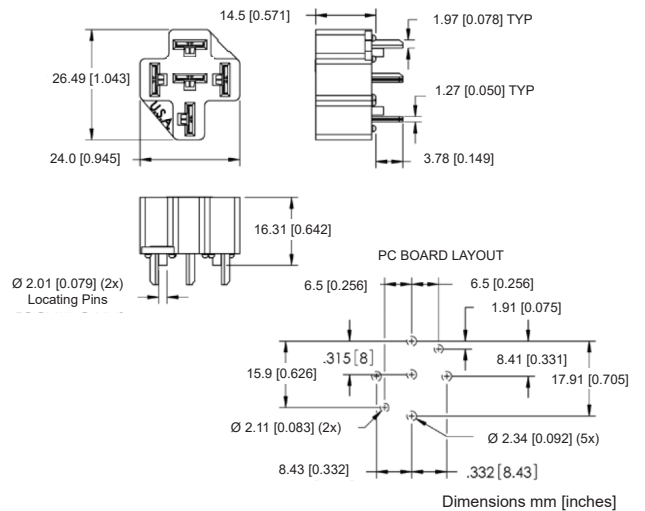
- Heat stabilised thermoplastic, 140°C
- Continuous use temperature rating
- For industry standard terminals
- 5 Pins
- RoHS Compliant



DZ85AB-5-SPCB - 5 Short pin socket for mini-ISO relays



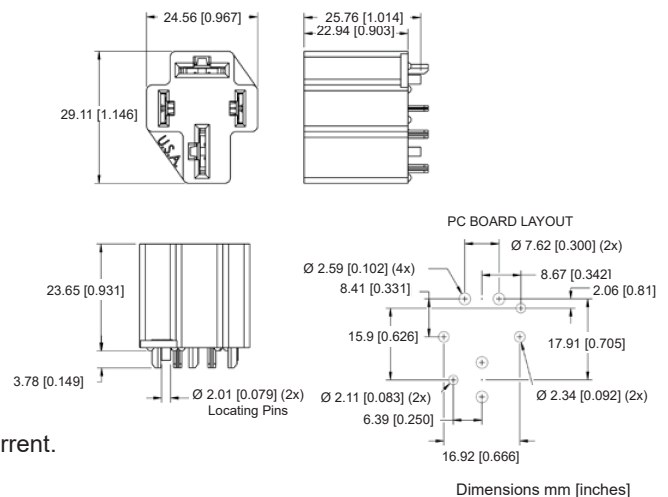
- Heat stabilised thermoplastic, 140°C
- Continuous use temperature rating
- For industry standard terminals
- 5 Short pins
- RoHS Compliant



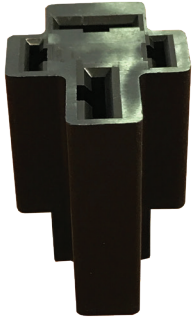
DZ85CD-4-SPCB - 4 Terminal PCB - 6 Short pin socket for maxi-ISO relays



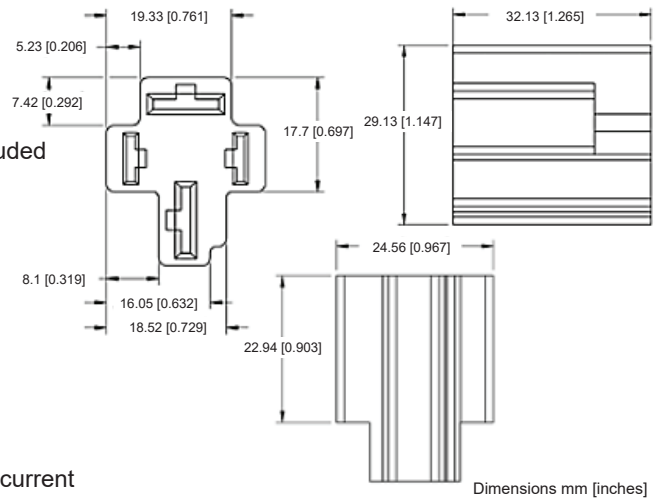
- Brass, Bright Tin (Sn) Plated Contacts
- Heat stabilised thermoplastic, 140°C
- Continuous use temperature rating
- 6 Short Pins
- RoHS Compliant
- Note: Not suitable for DG85D at full load current.



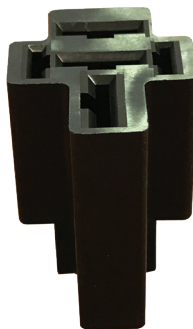
DZ85CD-4-WH - 4 Terminal cable housing socket for maxi-ISO relays



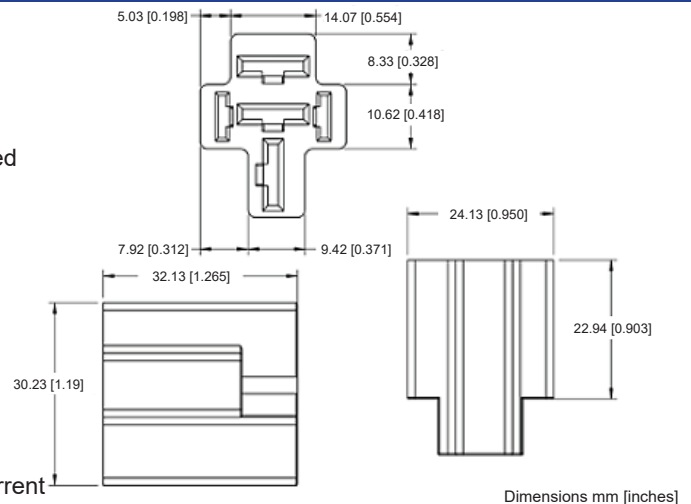
- Heat stabilised thermoplastic, 140°C
- Continuous use temperature rating
- For industry standard terminals - not included
- Typical suitable crimp terminals:
 - ◆ AMP 42100 ¼" blade 14-18 AWG
 - ◆ AMP 42281 ¼" blade 14-18 AWG
 - ◆ AMP 42904 ¼" blade 12-16 AWG
 - ◆ AMP 60249 ¼" blade 12-16 AWG
 - ◆ AMP 60253 ¼" blade 12-14 AWG
 - ◆ AMP 280756 3/8" blade 10-12 AWG
- RoHS Compliant
- Note: Not suitable for DG85D at full load current



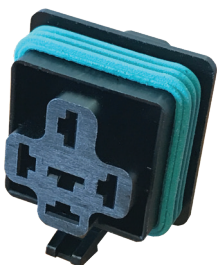
DZ85CD-5-WH - 5 Terminal cable housing socket for maxi-ISO relays



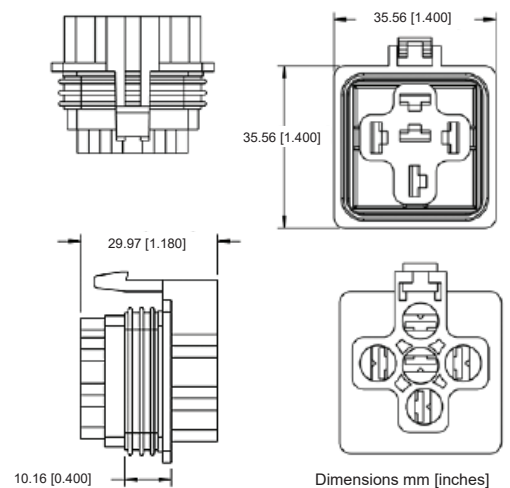
- Heat stabilised thermoplastic, 140°C
- Continuous use temperature rating
- For industry standard terminals - not included
- Typical suitable crimp terminals:
 - ◆ AMP 42100 ¼" blade 14-18 AWG
 - ◆ AMP 42281 ¼" blade 14-18 AWG
 - ◆ AMP 42904 ¼" blade 12-16 AWG
 - ◆ AMP 60249 ¼" blade 12-16 AWG
 - ◆ AMP 60253 ¼" blade 12-14 AWG
 - ◆ AMP 280756 3/8" blade 10-12 AWG
- RoHS Compliant
- Note: Not suitable for DG85D at full load current



DZ85AB-5-WP Weatherproof socket for mini-ISO relays



- Heat stabilised thermoplastic, 140°C
 - Continuous use temperature rating
 - For industry standard terminals - not included
 - Typical suitable crimp terminals:
 - ◆ AMP 42100 ¼" blade 14-18 AWG
 - ◆ AMP 60253 ¼" blade 12-14 AWG
 - RoHS Compliant
 - IP67
 - Testing passed:
 - ◆ Dust Exposure: SAE J1455 Sect. 4.7, IEC 60529 Sect. 13.4 & 13.6
 - ◆ Salt Spray: ASTM B117-07
 - ◆ Water Immersion IEC 60529 Sect. 14.2.7
 - ◆ Fluids Compatibility SAE J1455 Sect. 4.7, Engine Oil, Brake Fluid, Washer Solvent, Gasoline, Diesel Fuel
- Fits Mini-ISO style relays with skirted case, options S1 or S2.

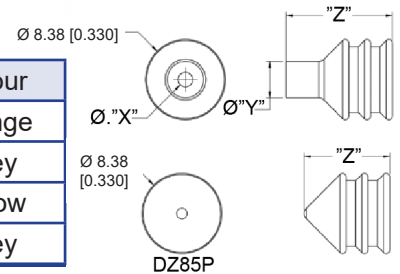


High temperature silicone gasket wire seals for weatherproof mini-ISO Socket DZAB-5-WP



Part No.	X	Y	Z	Colour
DZ85S-O	1.52 [0.060]	3.81 [0.150]	10.90 [0.429]	Orange
DZ85S-G	2.28 [0.090]	4.83 [0.190]	10.06 [0.396]	Grey
DZ85S-Y	3.30 [0.130]	5.84 [0.230]	9.55 [0.376]	Yellow
DZ85P-G	N/A	N/A	8.97 [0.353]	Grey

Choose DZ85S type according to cable diameter.
Use DZ85P-G to blank off center terminal of DZ85AB-5-WP socket for use with 4 terminal (SPST) relays.



Dimensions mm [inches]

DURAKOOL[®]